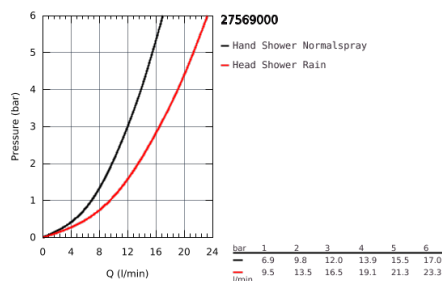
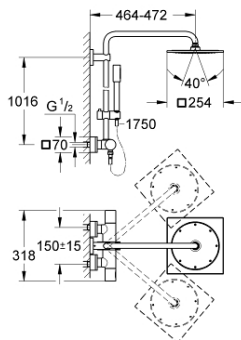


27 569 000 RAINSHOWER F-SERIES SYSTEM 10" SHOWER SYSTEM WITH THERMOSTAT FOR WALL MOUNTING

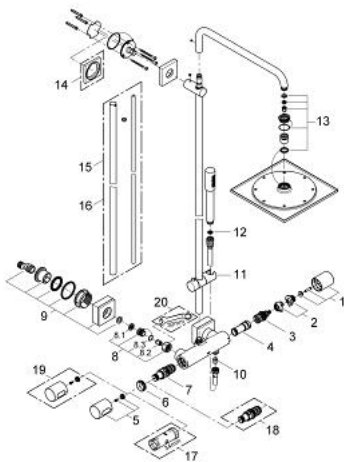


PRODUCT DESCRIPTION

- horizontal swivable 450 mm projection shower arm
- exposed thermostatic shower with Aquadimmer function
- allows change between:
 - head shower Rainshower F-Series 10" (27 271 000)
 - material: metal
 - with ball joint
 - rotation angle $\pm 20^\circ$
- hand shower Sena Stick (28 034 000)
- adjustable height via gliding element (12 140 000)
- GROHE TurboStat compact cartridge with wax thermoelement
- GROHE SafeStop safety button at 38°C (calibration required)
- GROHE SafeStop Plus optional temperature limiter at 43°C included
- metal shower hose 1750 mm (28 025)
- GROHE CoolTouch
- GROHE DreamSpray perfect spray pattern
- GROHE StarLight chrome finish
- Inner WaterGuide for a longer life
- minimum flow rate 7 l/min.



27 569 000 RAINSHOWER F-SERIES SYSTEM 10" SHOWER SYSTEM WITH THERMOSTAT FOR WALL MOUNTING



SPARE PARTS, April 2013 – now

- 1: Aquadimmer handle (Spare part-nr. 47804000)
- 2: Temperature limiter (Spare part-nr. 47723000)
- 3: Aquadimmer (Spare part-nr. 47364000)
- 4: Water flow (Spare part-nr. 47887000)
- 5: Handle (Spare part-nr. 47803000)
- 6: retaining ring (Spare part-nr. 47743000)
- 7: Thermostatic compact cartridge 1/2" (Spare part-nr. 47439000)
- 8: Non-return valve (Spare part-nr. 47189000)
- 8.1: Filter (Spare part-nr. 0726400M)
- 8.2: Non-return valve (Spare part-nr. 08565000)
- 8.3: O-Ring Ø17 x Ø2 (Spare part-nr. 0305500M)
- 9: S-union (Spare part-nr. 47824000)
- 10: Non-return valve (Spare part-nr. 08565000)
- 11: Sliding piece (Spare part-nr. 12140000)
- 12: Strainer (Spare part-nr. 0700200M)
- 13: Inlet valve assembly (Spare part-nr. 45933000)
- 14: Spacer (Spare part-nr. 27617000)*
- 15: Shower system pipe for retrofitting (Spare part-nr. 48053000)*
- 16: Shower system pipe for retrofitting (Spare part-nr. 48054000)*
- 17: Socket Spanner (Spare part-nr. 19332000)*
- 18: GROHE TurboStat cartridge 1/2" (Spare part-nr. 47175000)*
- 19: Temperature scale handle (Spare part-nr. 47811000)*
- 20: Special Spanner (Spare part-nr. 19377000)*

* Optional accessories