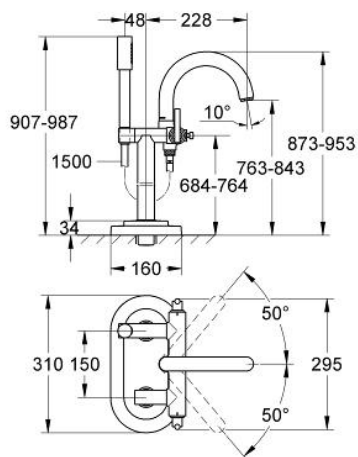


25 046 000 ATRIO BATH / SHOWER MIXER 1/2"

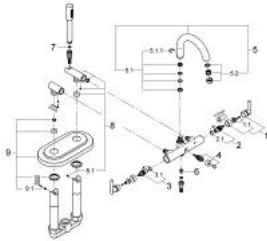


PRODUCT DESCRIPTION

- floor-mounted installation with high pillar unions (765 mm)
- swivel tubular spout with mousseur and stop limiter
- projection 228 mm
- with shower holder
- Sena handshower
- shower hose 1500 mm
- protected against backflow
- with Jota handle
- must be used with
- 45 473 000 floor installation plate
- GROHE StarLight chrome finish



25 046 000 ATRIO BATH / SHOWER MIXER 1/2"



SPARE PARTS, November 2007 – now

- 1: Handle Jota (Spare part-nr. 45609000)
- 1.1: Replacement handle connection kit (Spare part-nr. 45605000)
- 2: Ceramic headpart, 1/2" (Spare part-nr. 45882000)
- 2.1: O-Ring Ø18,2 x Ø1,7 (Spare part-nr. 0392400M)
- 3: Ceramic headpart, 1/2" (Spare part-nr. 45883000)
- 3.1: O-Ring Ø18,2 x Ø1,7 (Spare part-nr. 0392400M)
- 4: Diverter (Spare part-nr. 45592000)
- 5: Biflo spout (Spare part-nr. 45857000)
- 5.1: Repl.kit f.cast spout (Spare part-nr. 45474000)
- 5.1.1: Safety disc (Spare part-nr. 0585000M)
- 5.2: Flow restrictor (Spare part-nr. 13939000)
- 6: Non-return valve (Spare part-nr. 08565000)
- 7: Strainer (Spare part-nr. 0700200M)
- 8: Shower holder (Spare part-nr. 45861000)
- 8.1: screw & o-ring set (Spare part-nr. 0311700M)
- 9: Escutcheon (Spare part-nr. 45873000)
- 9.1: screw & o-ring set (Spare part-nr. 0311700M)